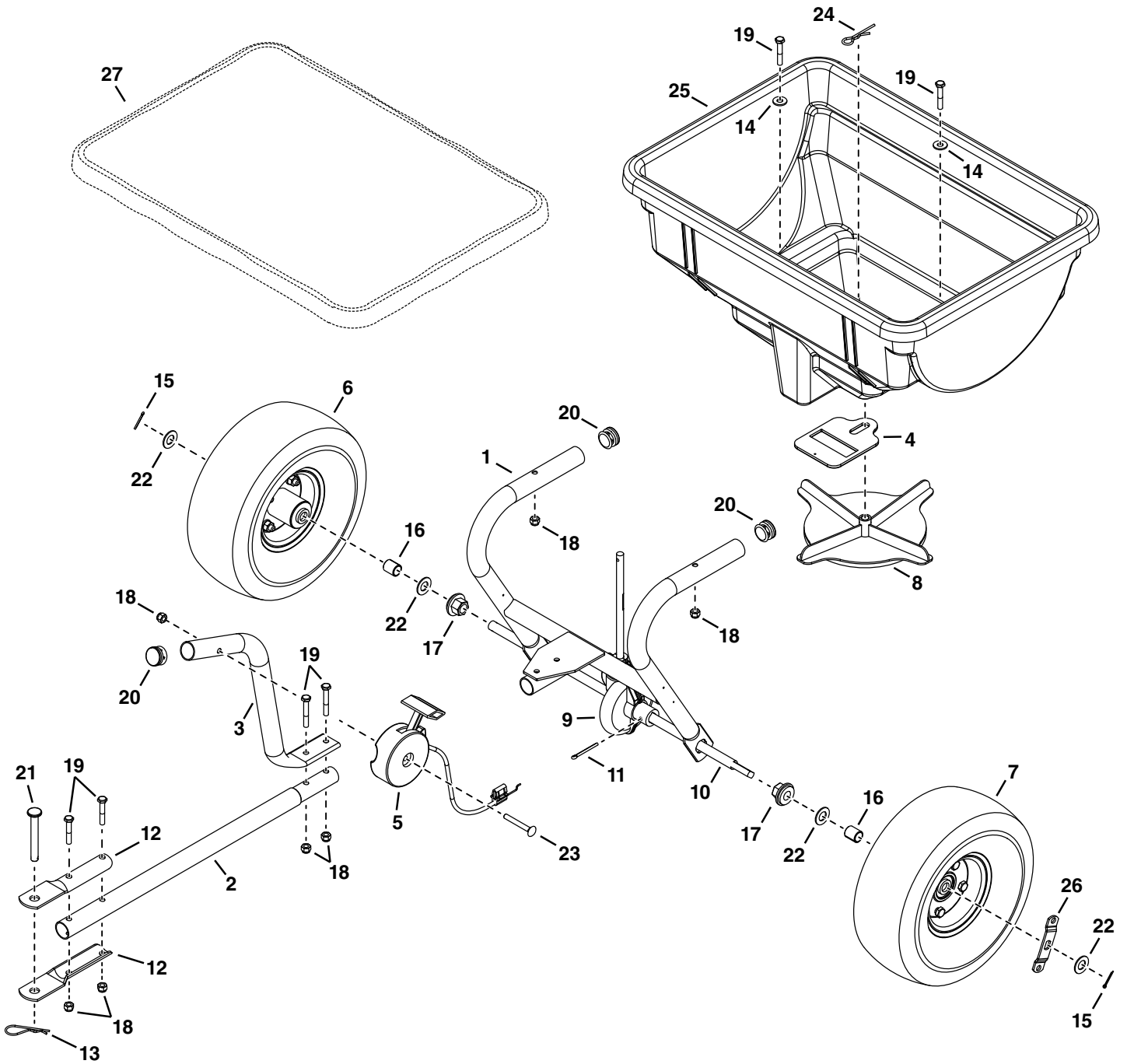


REPAIR PARTS FOR 45-05301



REF.	PART NO.	QTY.	DESCRIPTION	REF.	PART NO.	QTY.	DESCRIPTION
1	68491	1	Frame Assembly	15	44101	2	Cotter Pin, 3/32"
2	27989	1	Hitch Tube	16	45705	2	Spacer
3	27990	1	Control Tube	17	47963	2	Flange Bearing
4	45505	1	Flow Slide	18	47189	7	Nylock Nut, 1/4"
5	45275	1	Control Cable	19	1509-69	6	Hex Bolt, 1/4" x 1-3/4"
6	46503	1	Wheel	20	49449	3	Tube Plug
7	48865	1	Drive Wheel (includes part #26)	21	47623	1	Hitch Pin
8	45504	1	Impeller	22	R19171616	4	Washer, .531" x 1" x .059"
9	69209	1	Gearbox Assembly	23	45165	1	Carriage Bolt, 1/4" x 2"
10	28379	1	Axle, 1/2"	24	48934	1	Hairpin, Agitator
11	43501	1	Cotter Pin, 9/64" x 1-1/2"	25	47994BLK	1	Hopper
12	24446	2	Hitch Bracket	26	24116	1	Drive Wheel Bracket
13	43343	1	Hair Cotter Pin, 3/32"	27	40883	1	Hopper Cover (Optional)
14	43088	2	Washer, 1/4"		45732	1	Owner's Manual